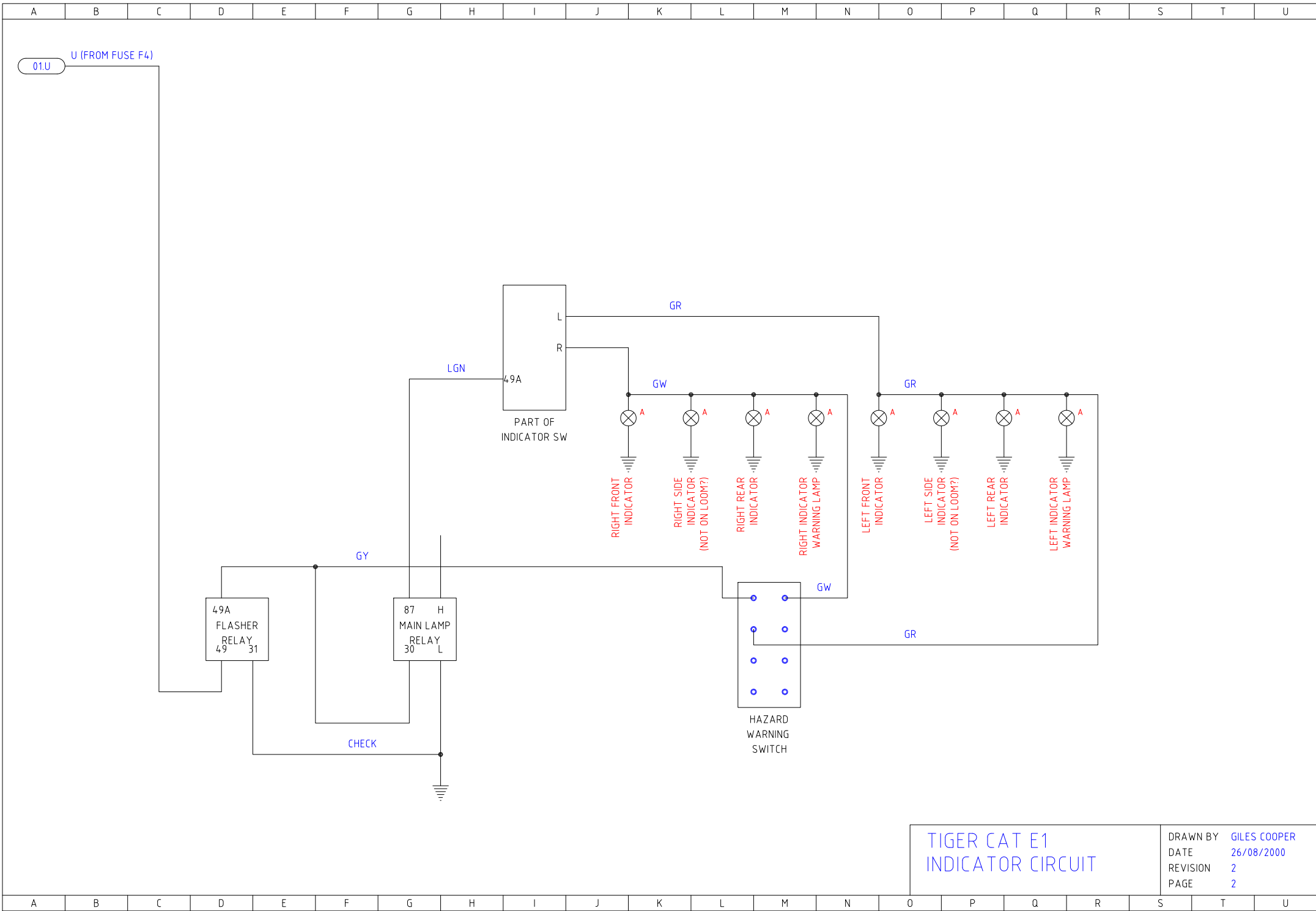


NOTE: DASHED LINE INDICATES MODIFICATION TO WIRING LOOM

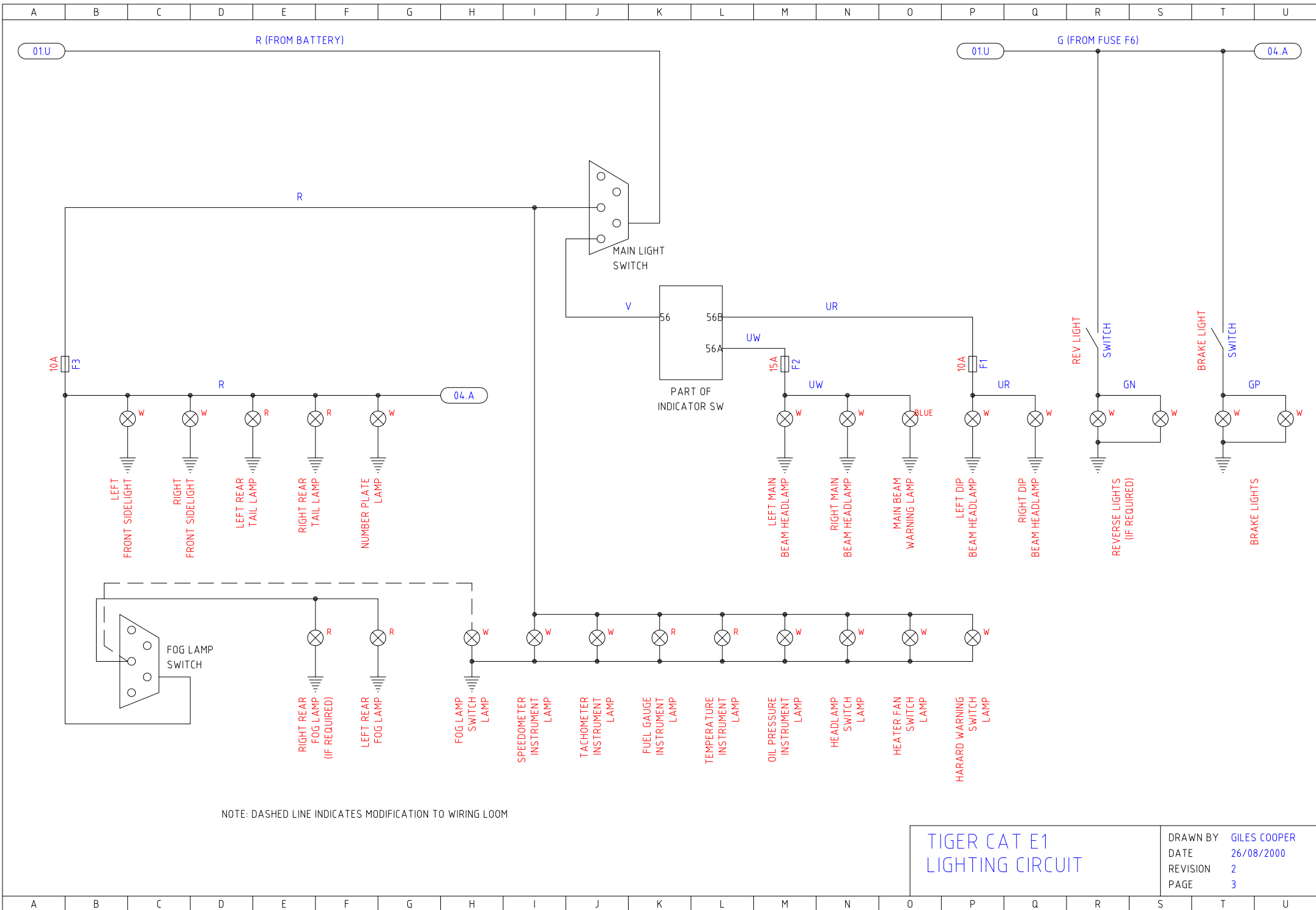
TIGER CAT E1  
STARTING CIRCUIT

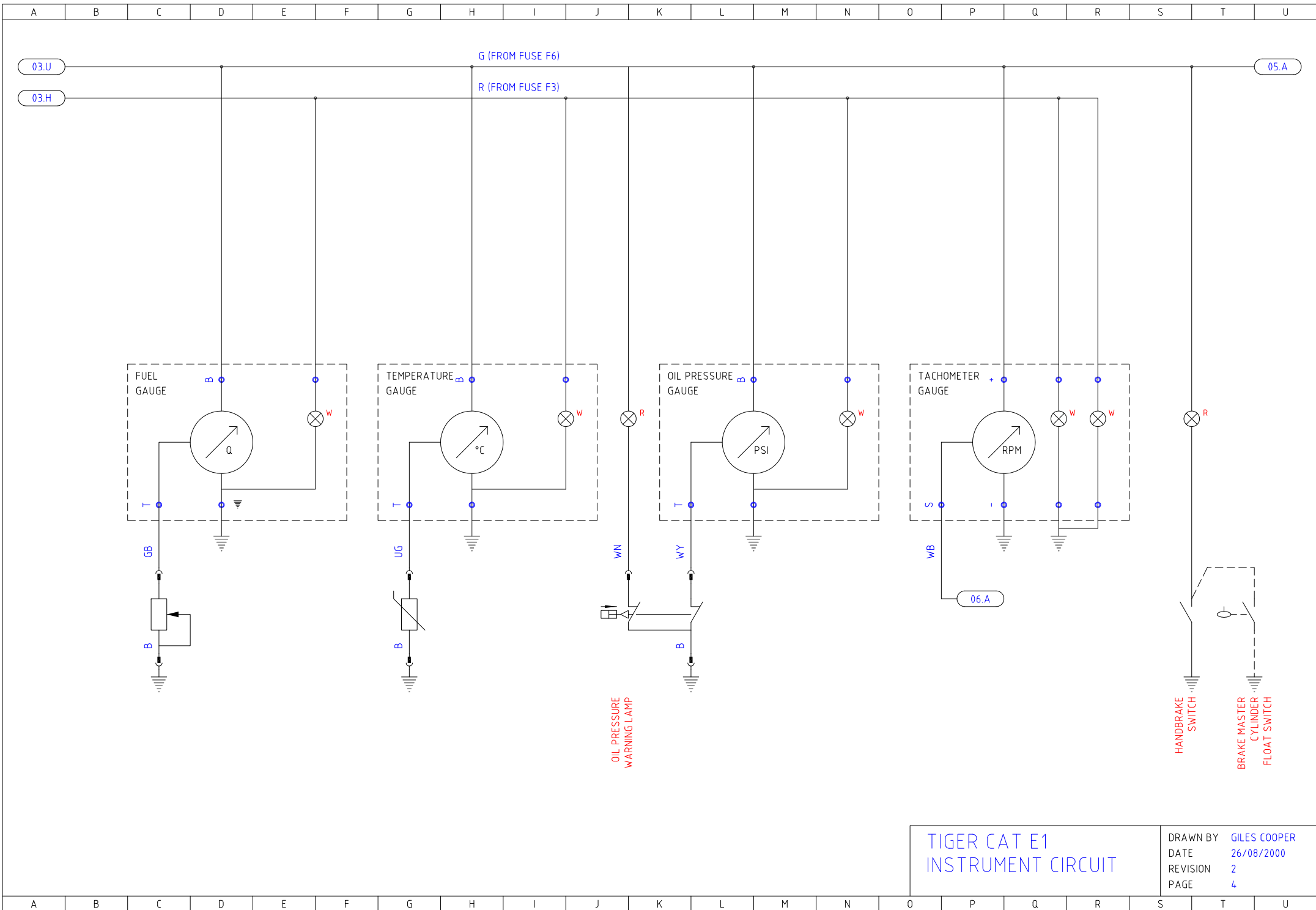
DRAWN BY GILES COOPER  
DATE 26/08/2000  
REVISION 2  
PAGE 1



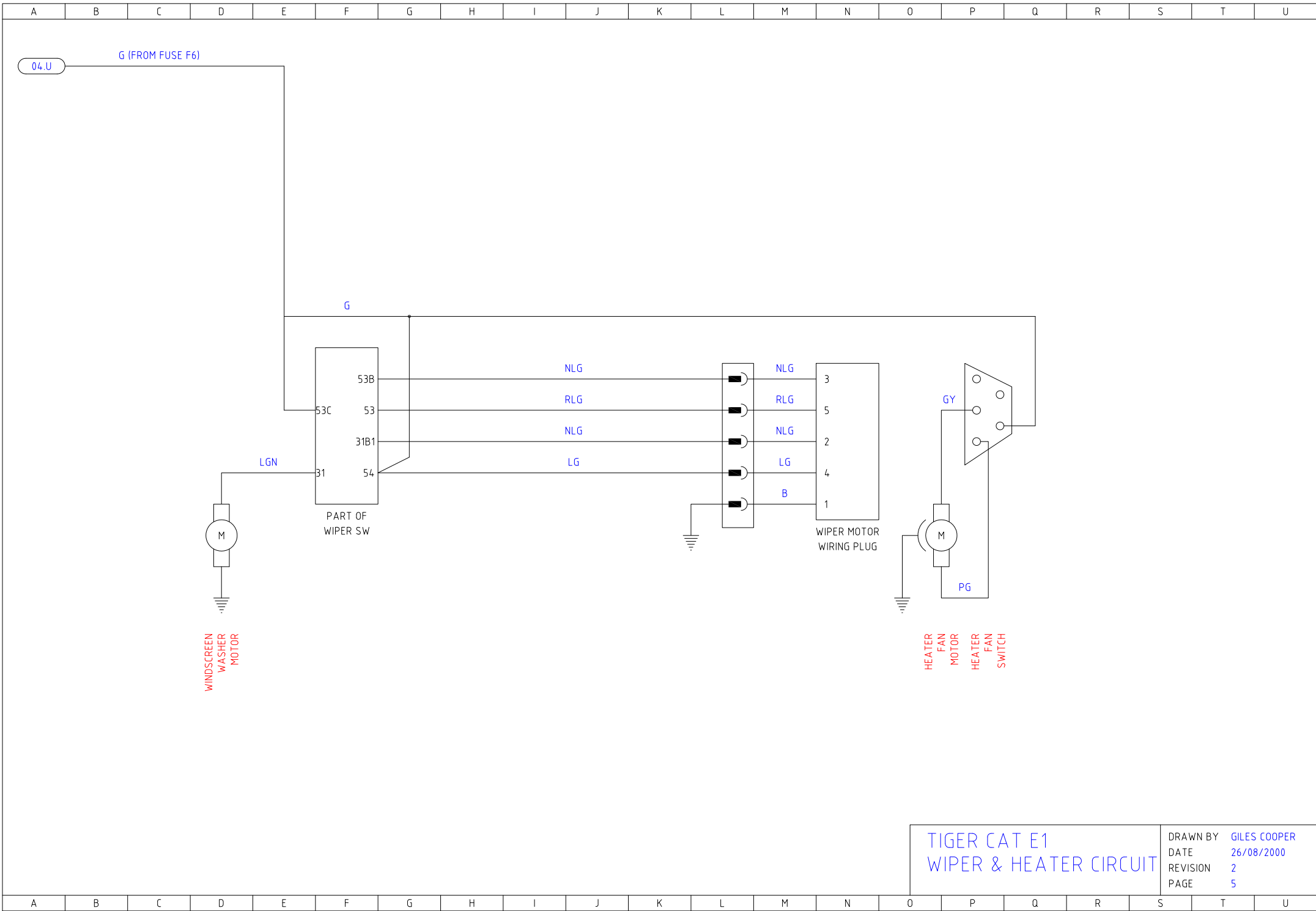
TIGER CAT E1  
INDICATOR CIRCUIT

DRAWN BY GILES COOPER  
 DATE 26/08/2000  
 REVISION 2  
 PAGE 2

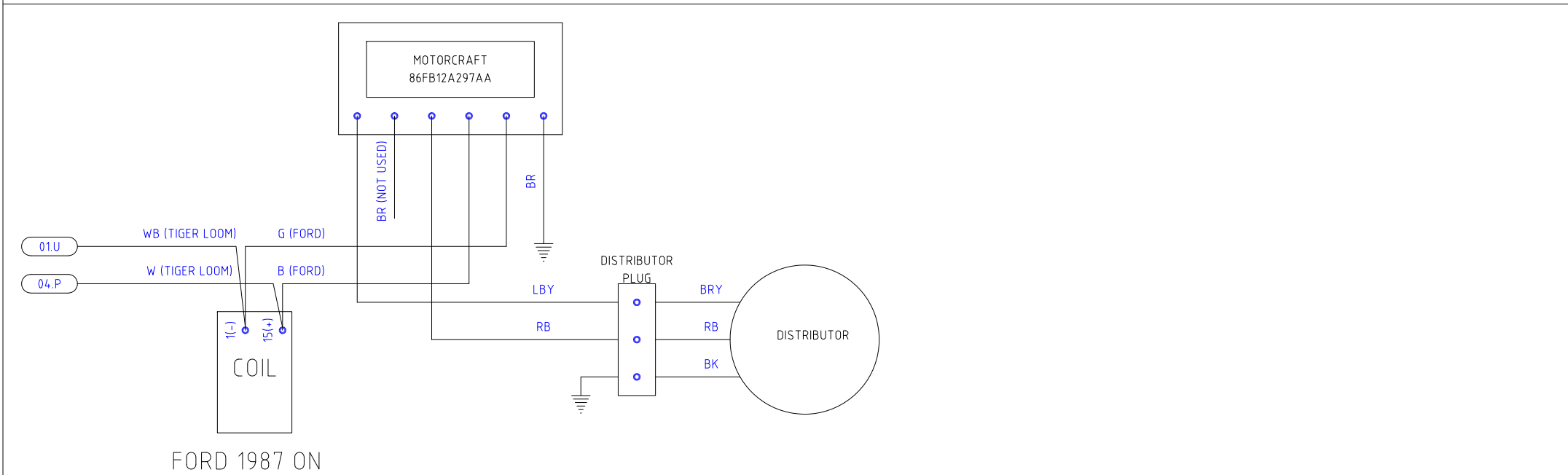
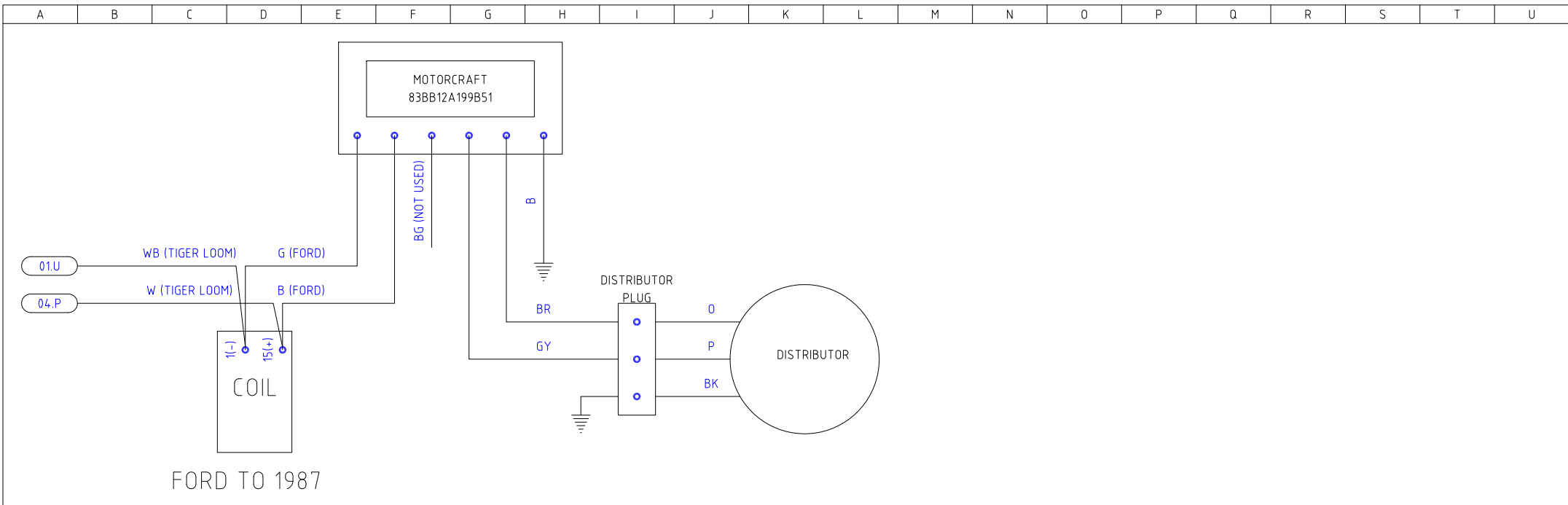




<p>TIGER CAT E1 INSTRUMENT CIRCUIT</p>		DRAWN BY	GILES COOPER
		DATE	26/08/2000
		REVISION	2
		PAGE	4



TIGER CAT E1 WIPER & HEATER CIRCUIT		DRAWN BY	GILES COOPER
		DATE	26/08/2000
		REVISION	2
		PAGE	5



TIGER CAT E1 IGNITION CIRCUIT		DRAWN BY	GILES COOPER
		DATE	26/08/2000
		REVISION	2
		PAGE	6