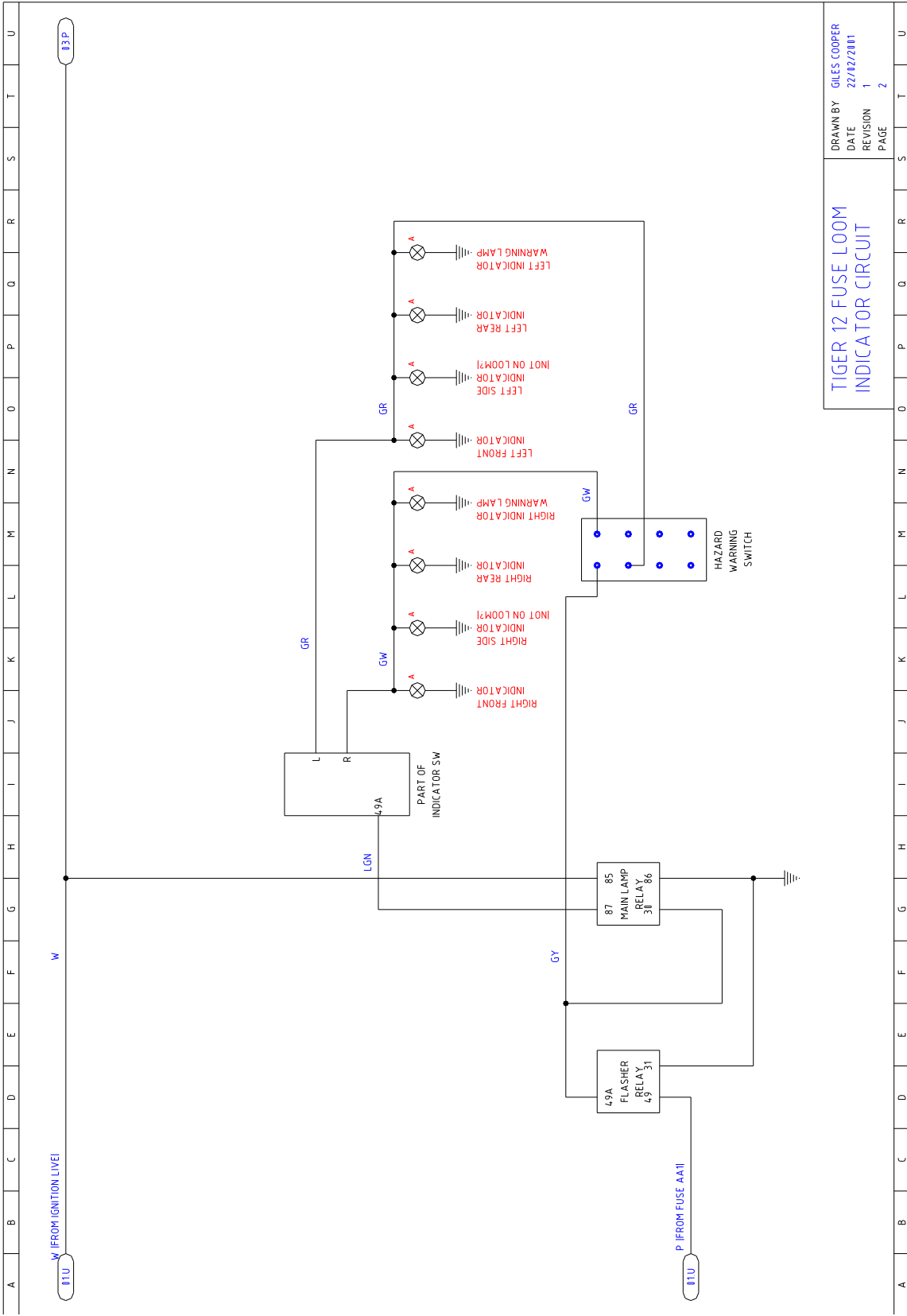


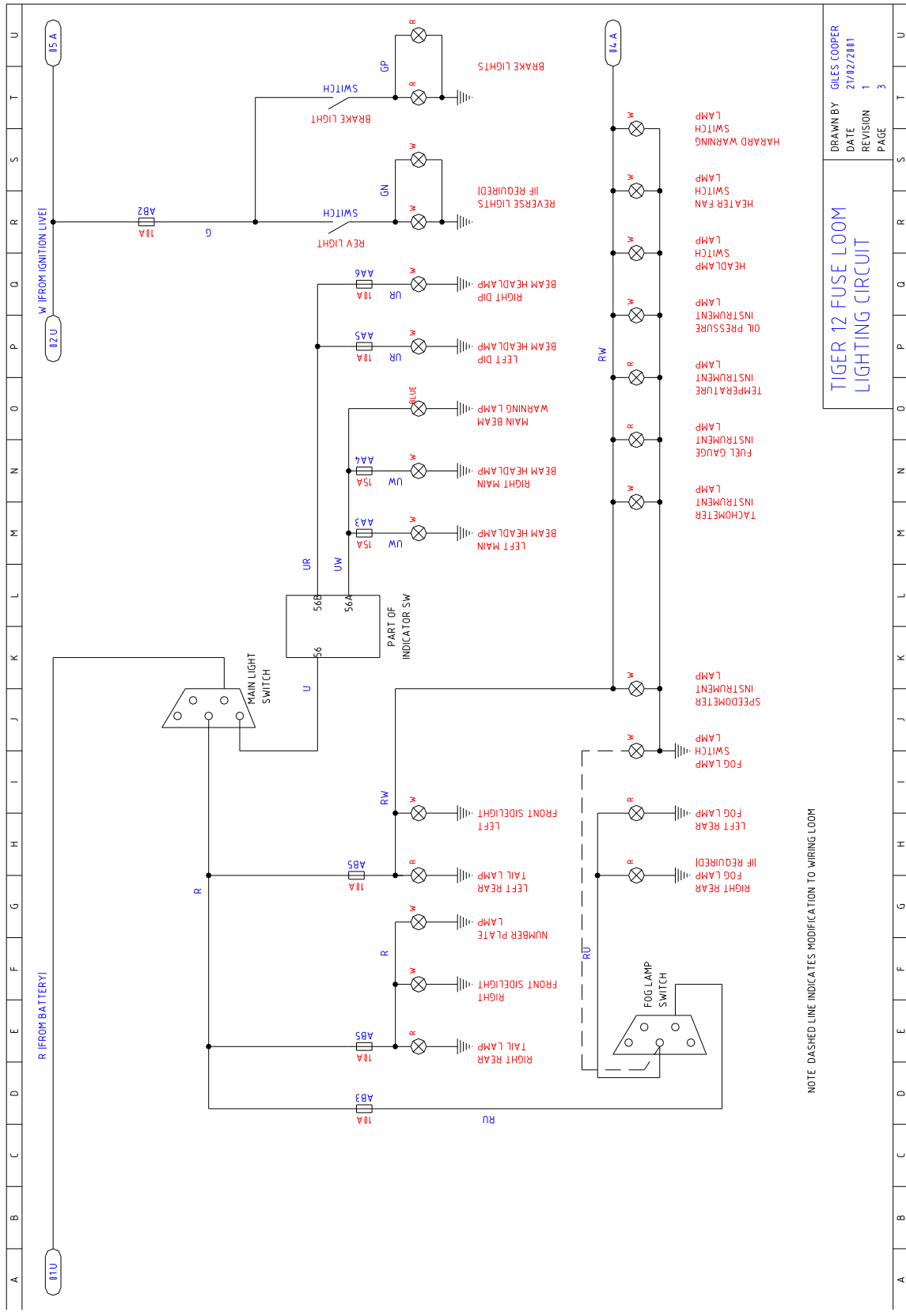
TIGER 12 FUSE LOOM
STARTING CIRCUIT

DRAWN BY GILES COOPER
DATE 22/12/2011
REVISION 1
PAGE 1



DRAWN BY GILES COOPER
 DATE 22/12/2011
 REVISION 1
 PAGE 2

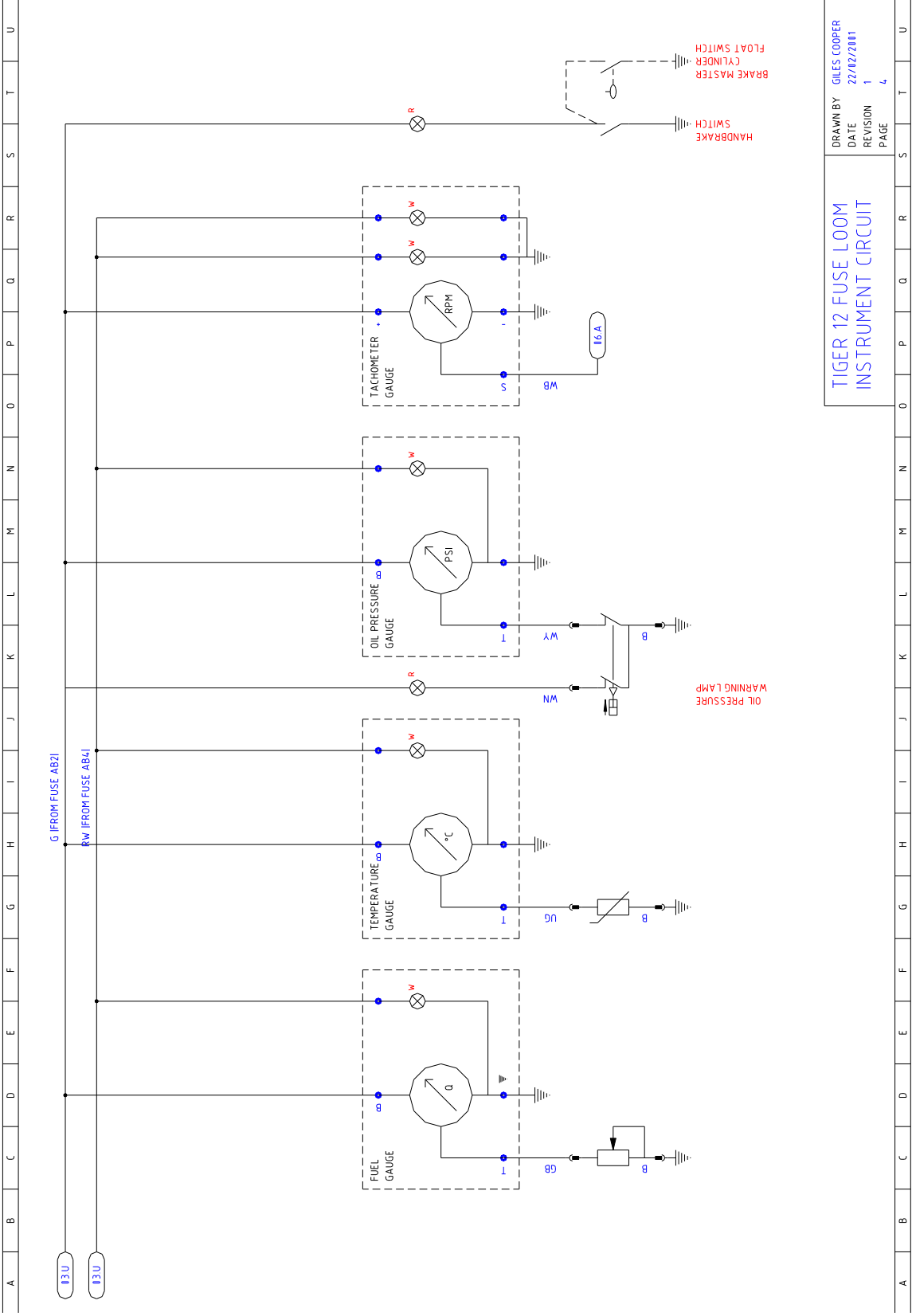
TIGER 12 FUSE LOOM INDICATOR CIRCUIT



NOTE: DASHED LINE INDICATES MODIFICATION TO WIRING LOOM

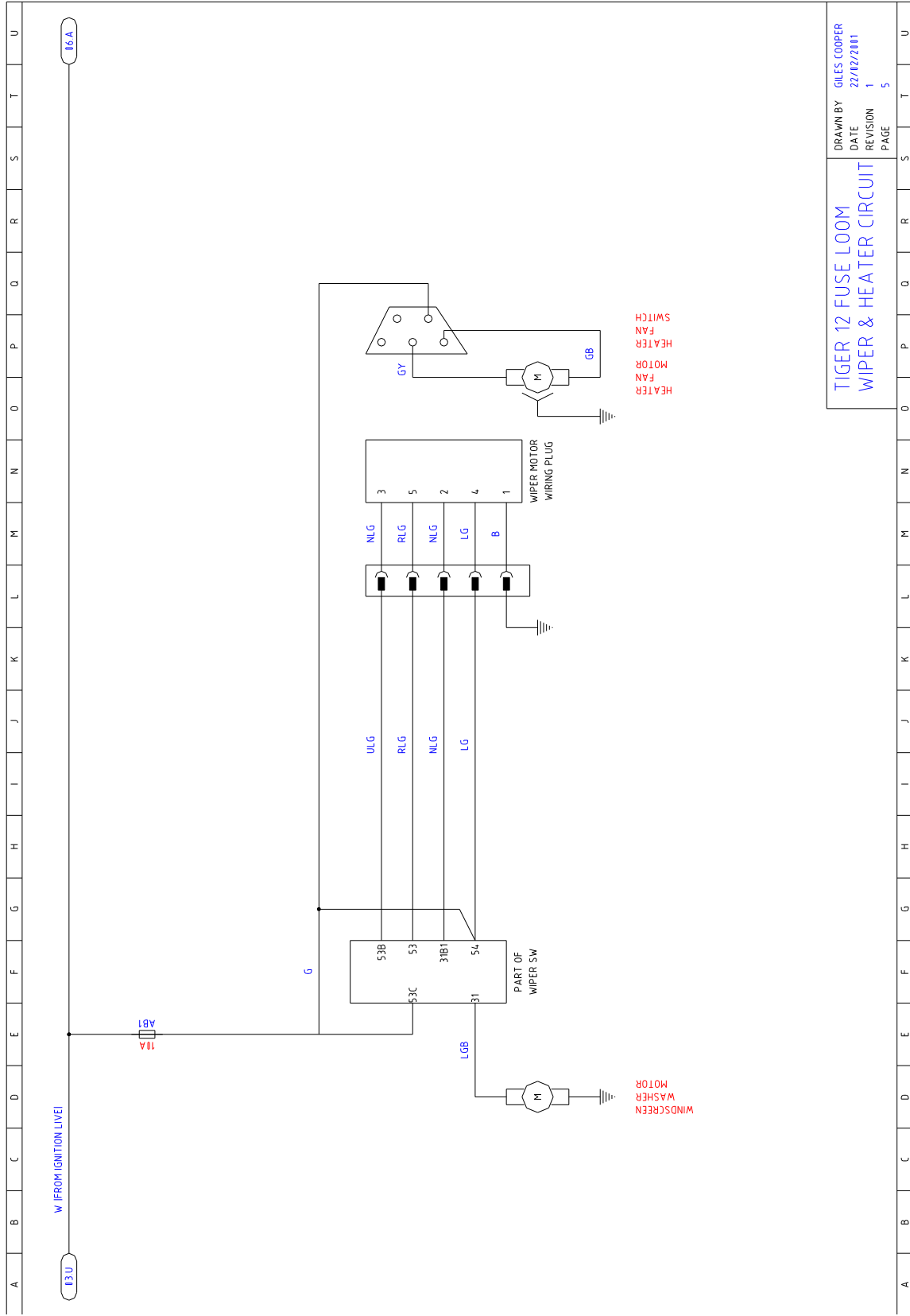
TIGER 12 FUSE LOOM LIGHTING CIRCUIT

DRAWN BY GILES COOPER
 DATE 21/02/2011
 REVISION 1
 PAGE 3



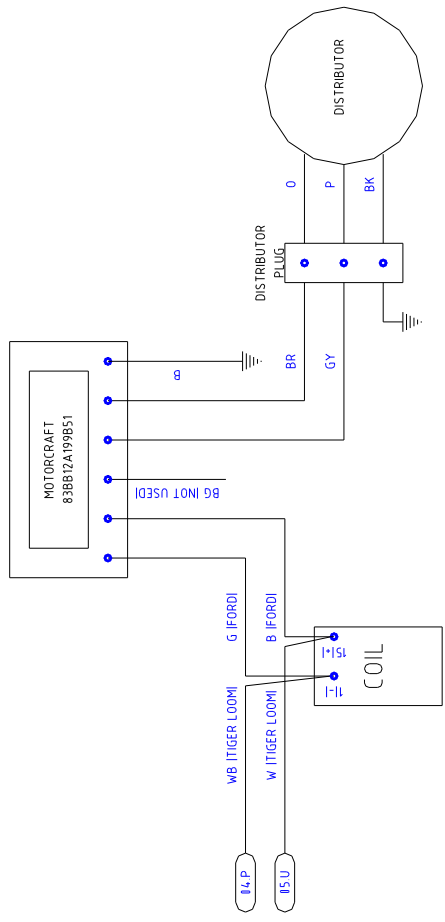
TIGER 12 FUSE LOOM
INSTRUMENT CIRCUIT

DRAWN BY GILES COOPER
DATE 22/12/2011
REVISION 1
PAGE 4

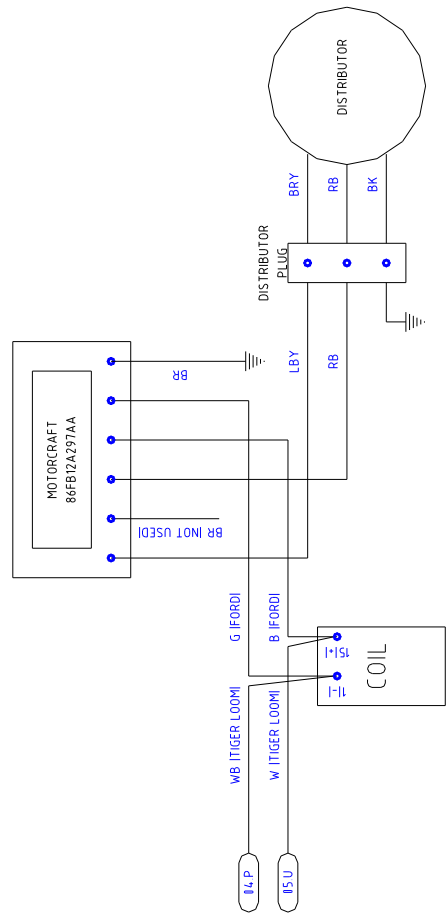


TIGER 12 FUSE LOOM
WIPER & HEATER CIRCUIT

DRAWN BY GILES COOPER
DATE 22/02/2011
REVISION 1
PAGE 5



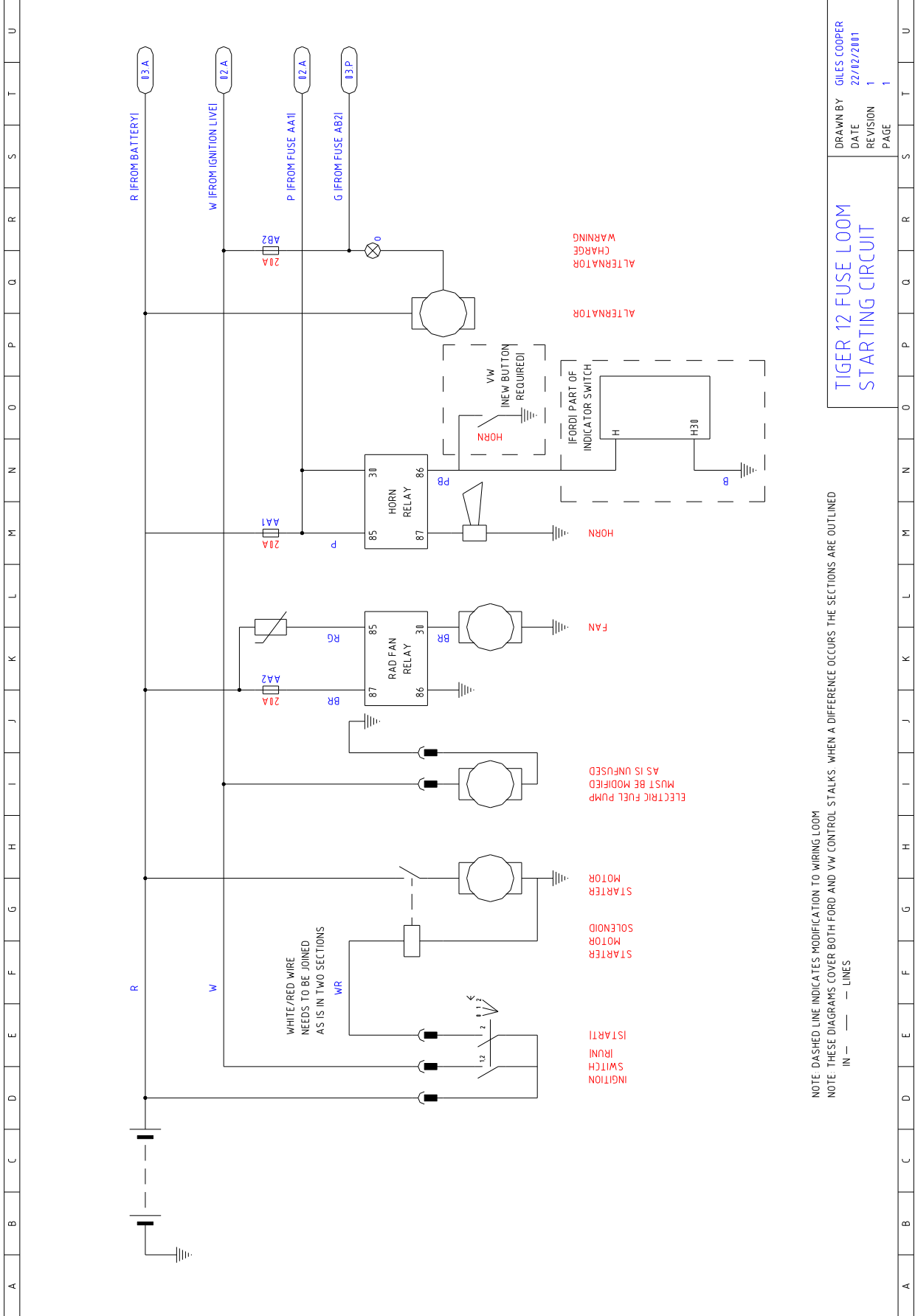
FORD TO 1987



FORD 1987 ON

TIGER 12 FUSE LOOM
IGNITION CIRCUIT

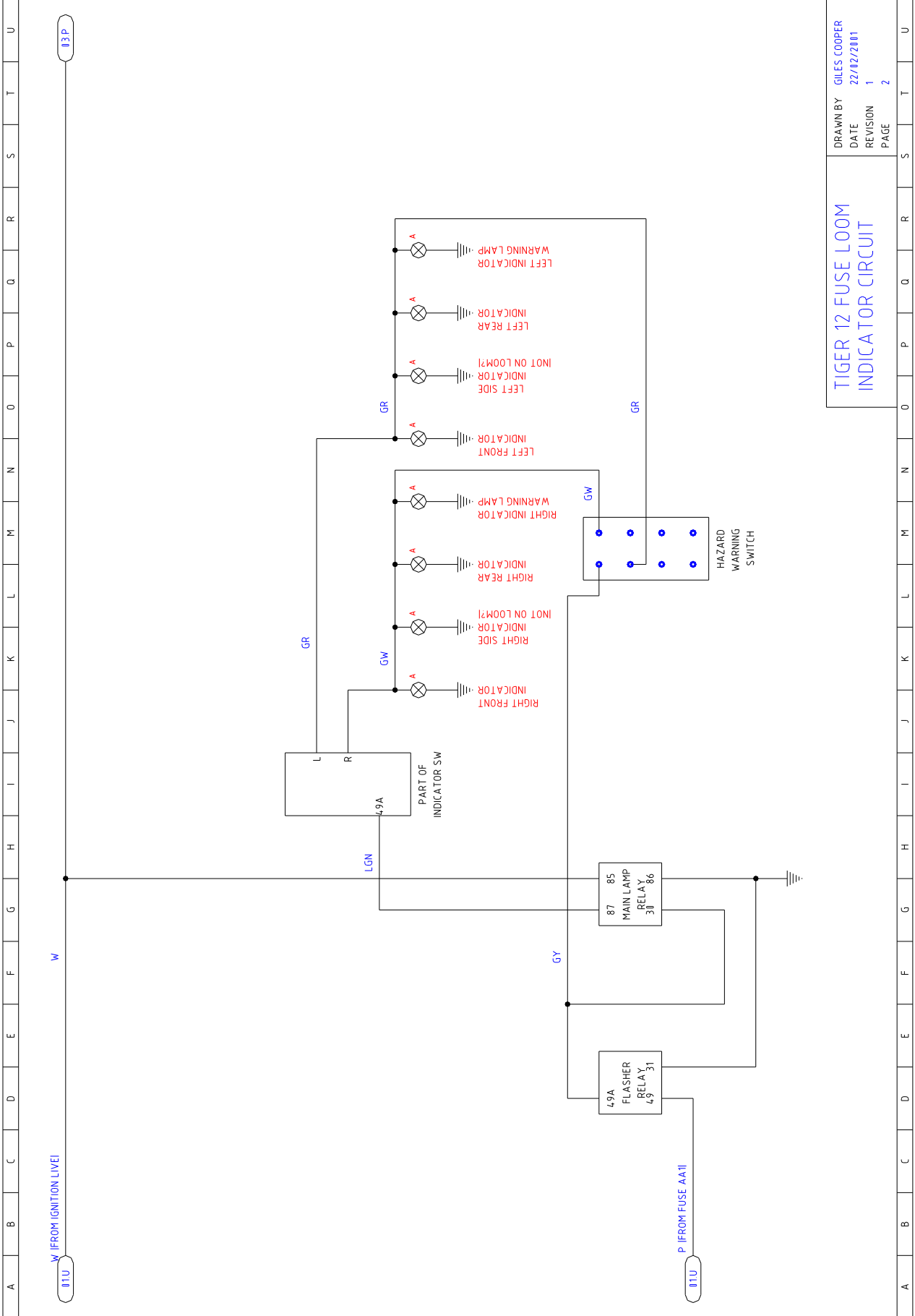
DRAWN BY GILES COOPER
DATE 22/02/2011
REVISION 1
PAGE 6



NOTE: DASHED LINE INDICATES MODIFICATION TO WIRING LOOM
 NOTE: THESE DIAGRAMS COVER BOTH FORD AND VW CONTROL STALKS. WHEN A DIFFERENCE OCCURS THE SECTIONS ARE OUTLINED
 IN — — — LINES

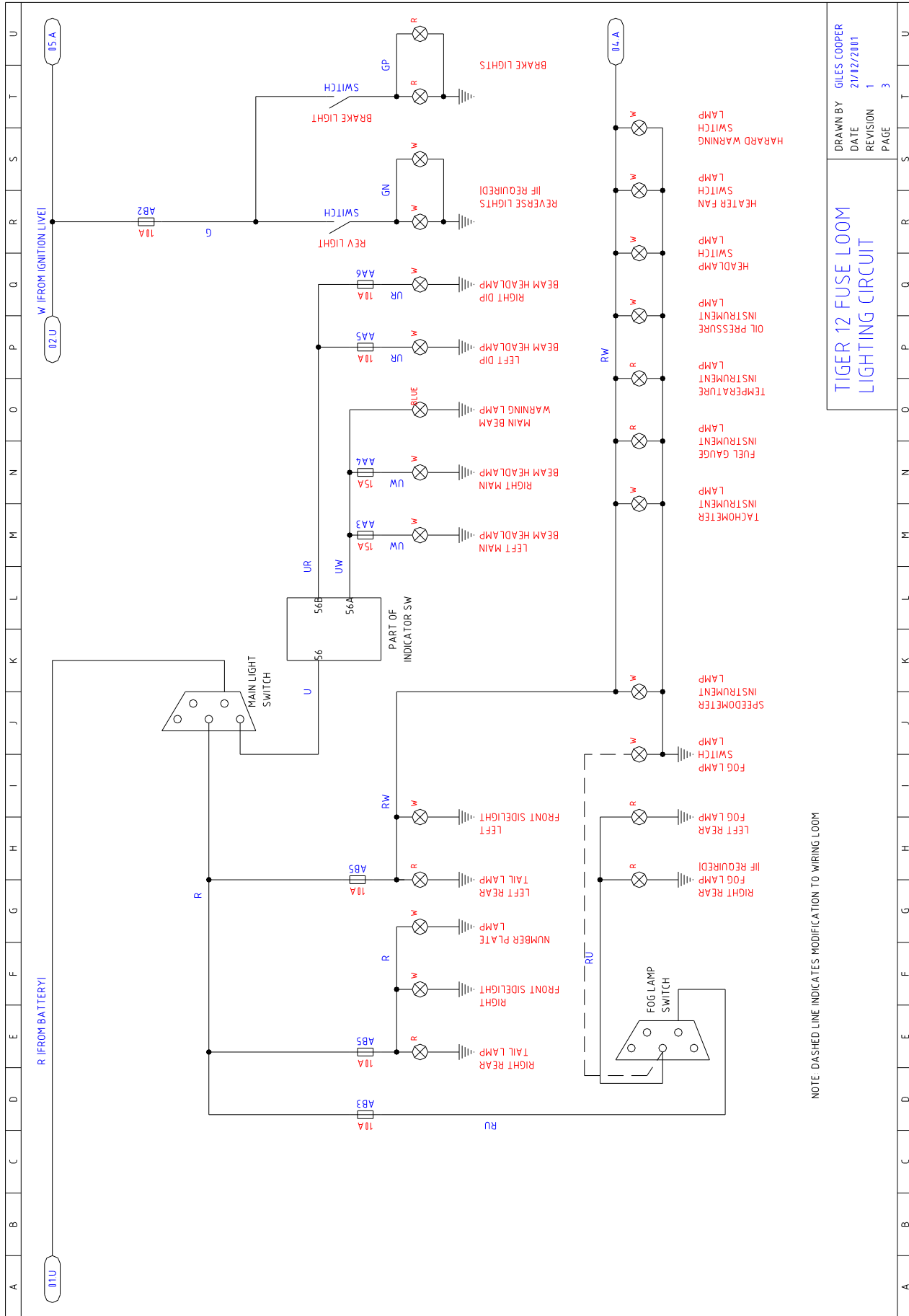
TIGER 12 FUSE LOOM
 STARTING CIRCUIT

DRAWN BY GILES COOPER
 DATE 22/12/2111
 REVISION 1
 PAGE 1



DRAWN BY GILES COOPER
 DATE 22/02/2001
 REVISION 1
 PAGE 2

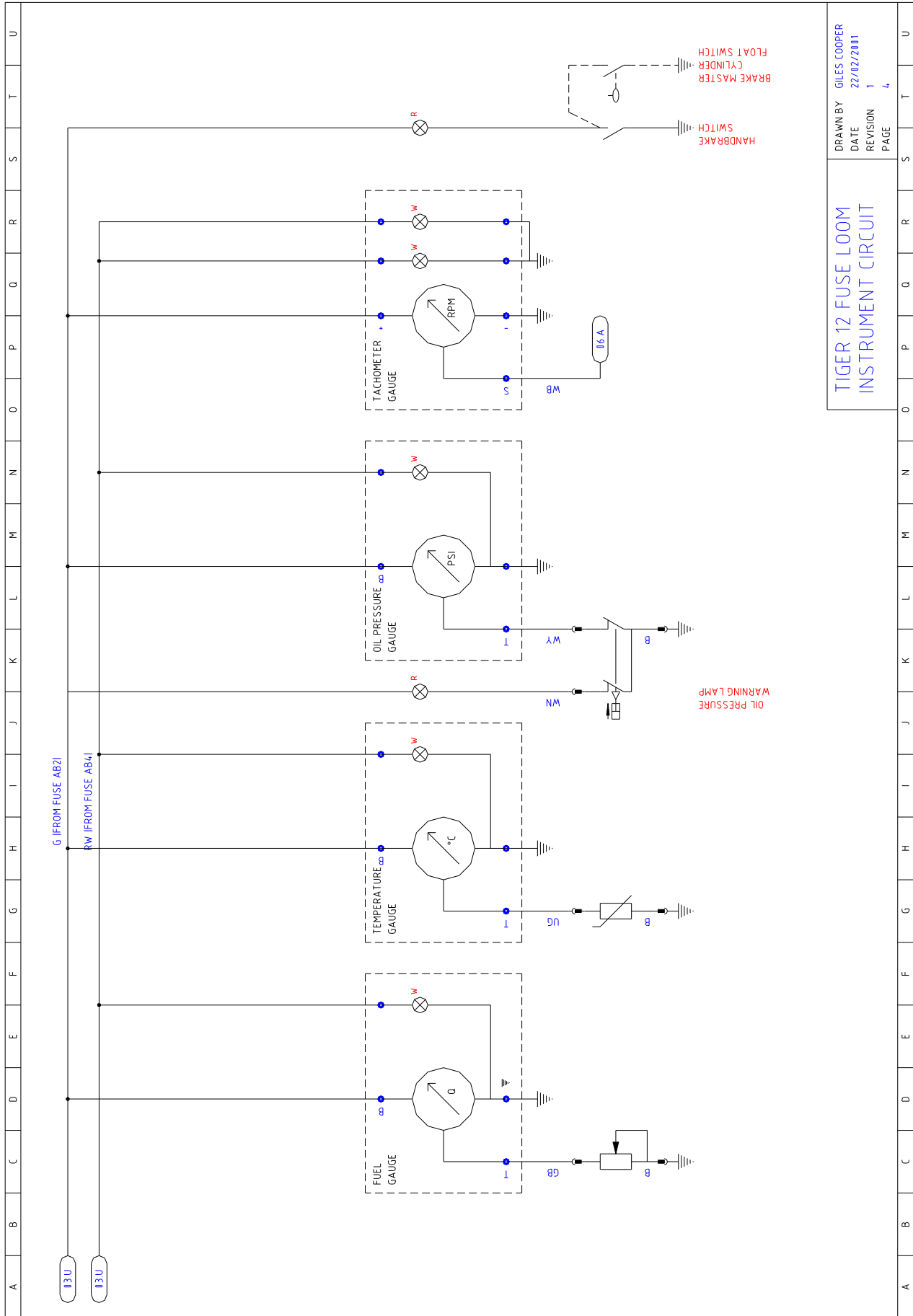
**TIGER 12 FUSE LOOM
 INDICATOR CIRCUIT**



DRAWN BY GILES COOPER
 DATE 21/02/2011
 REVISION 1
 PAGE 3

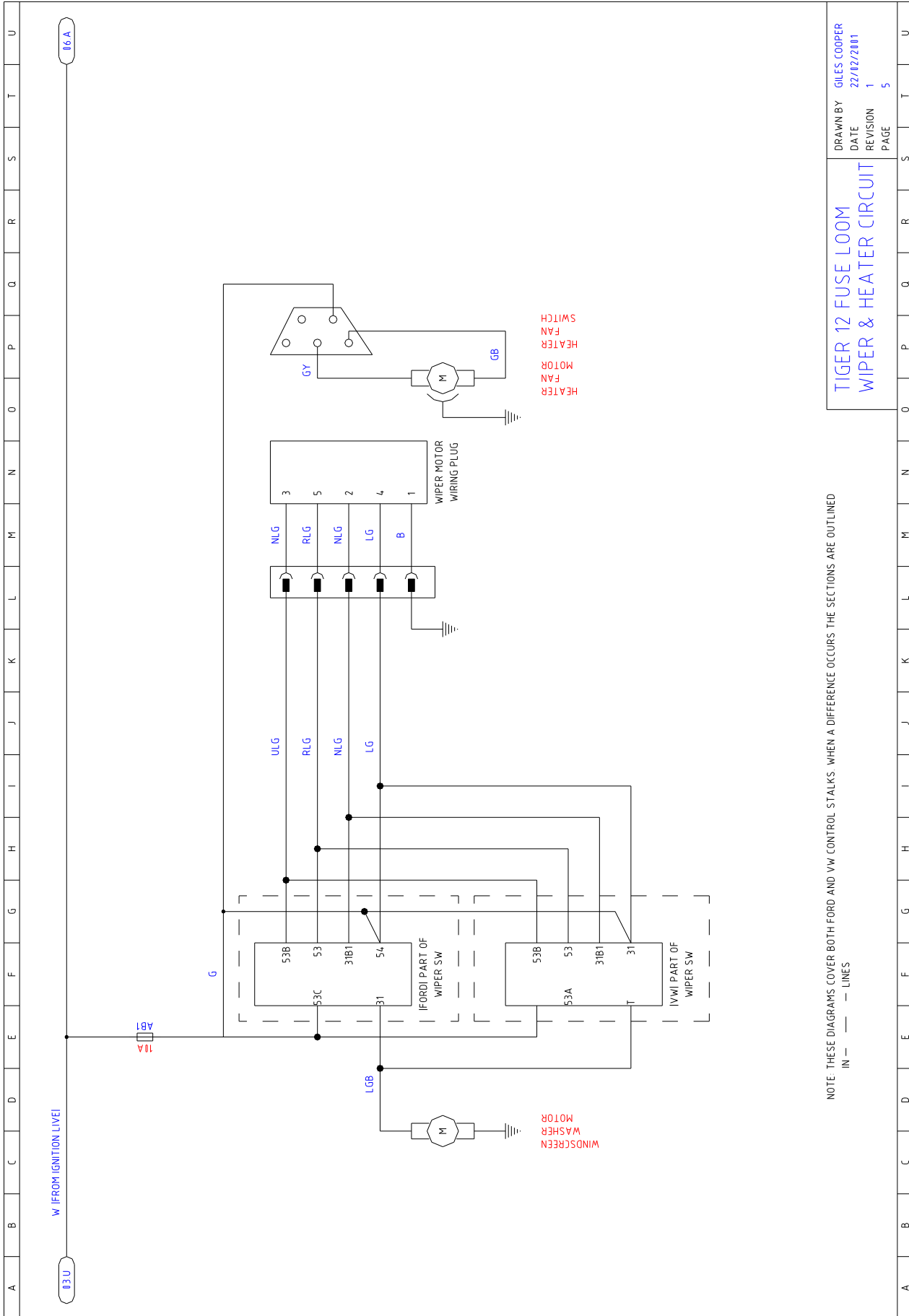
TIGER 12 FUSE LOOM LIGHTING CIRCUIT

NOTE DASHED LINE INDICATES MODIFICATION TO WIRING LOOM



DRAWN BY GILES COOPER
 DATE 22/02/2011
 REVISION 1
 PAGE 4

**TIGER 12 FUSE LOOM
 INSTRUMENT CIRCUIT**

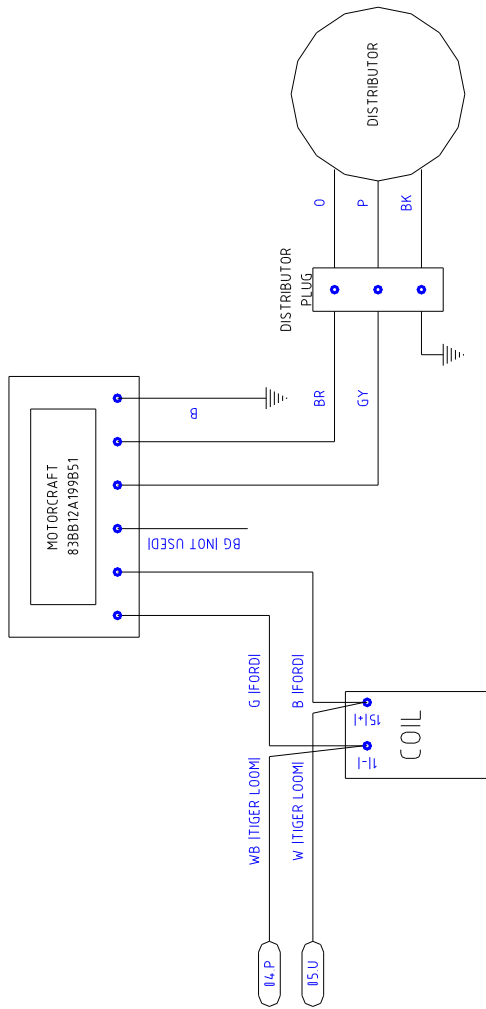


TIGER 12 FUSE LOOM
WIPER & HEATER CIRCUIT

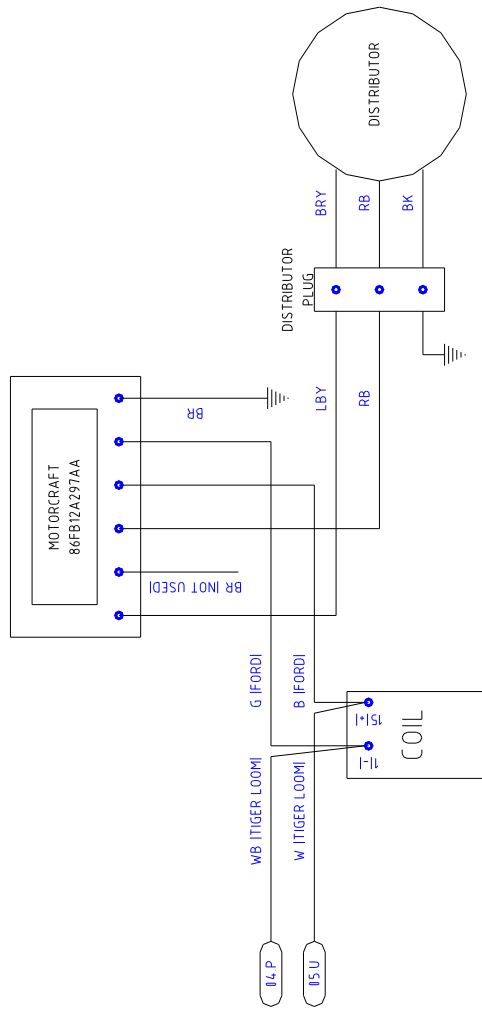
DRAWN BY GILES COOPER
DATE 22/12/2011
REVISION 1
PAGE 5

A B C D E F G H I J K L M N O P Q R S T U

A B C D E F G H I J K L M N O P Q R S T U



FORD TO 1987



FORD 1987 ON

TIGER 12 FUSE LOOM
IGNITION CIRCUIT

DRAWN BY GILES COOPER
DATE 22/02/2011
REVISION 1
PAGE 6