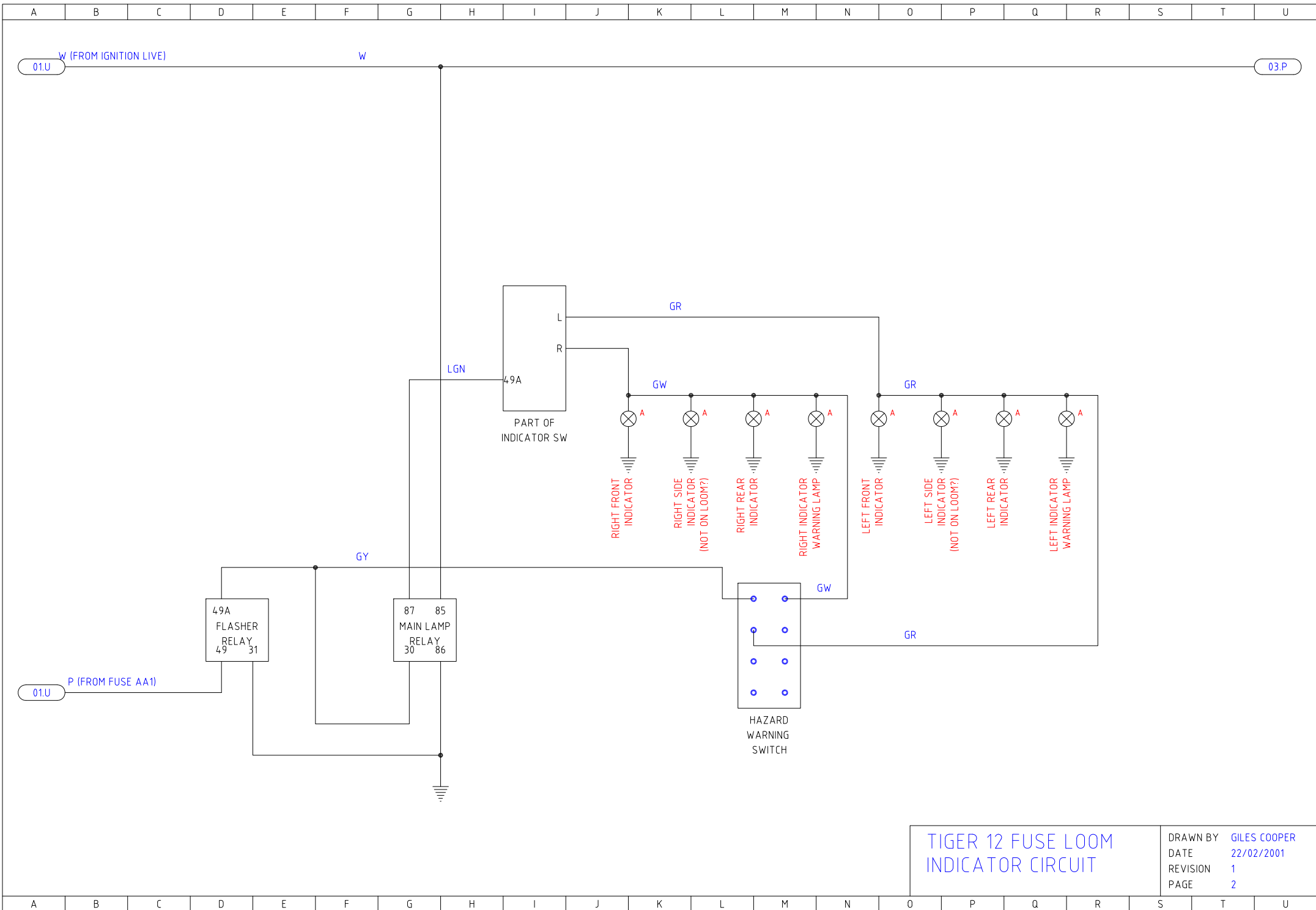
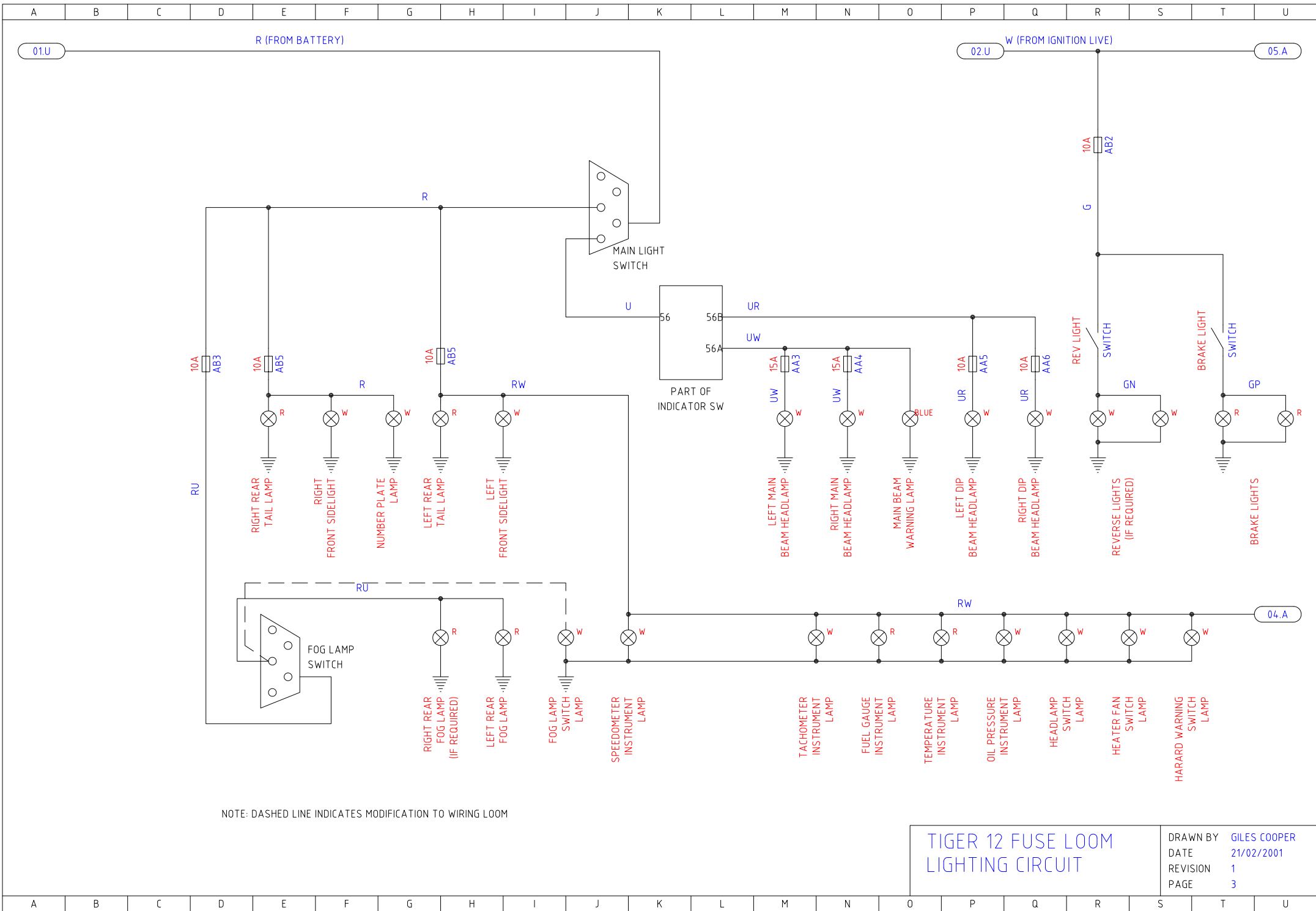


NOTE: DASHED LINE INDICATES MODIFICATION TO WIRING LOOM

### TIGER 12 FUSE LOOM STARTING CIRCUIT

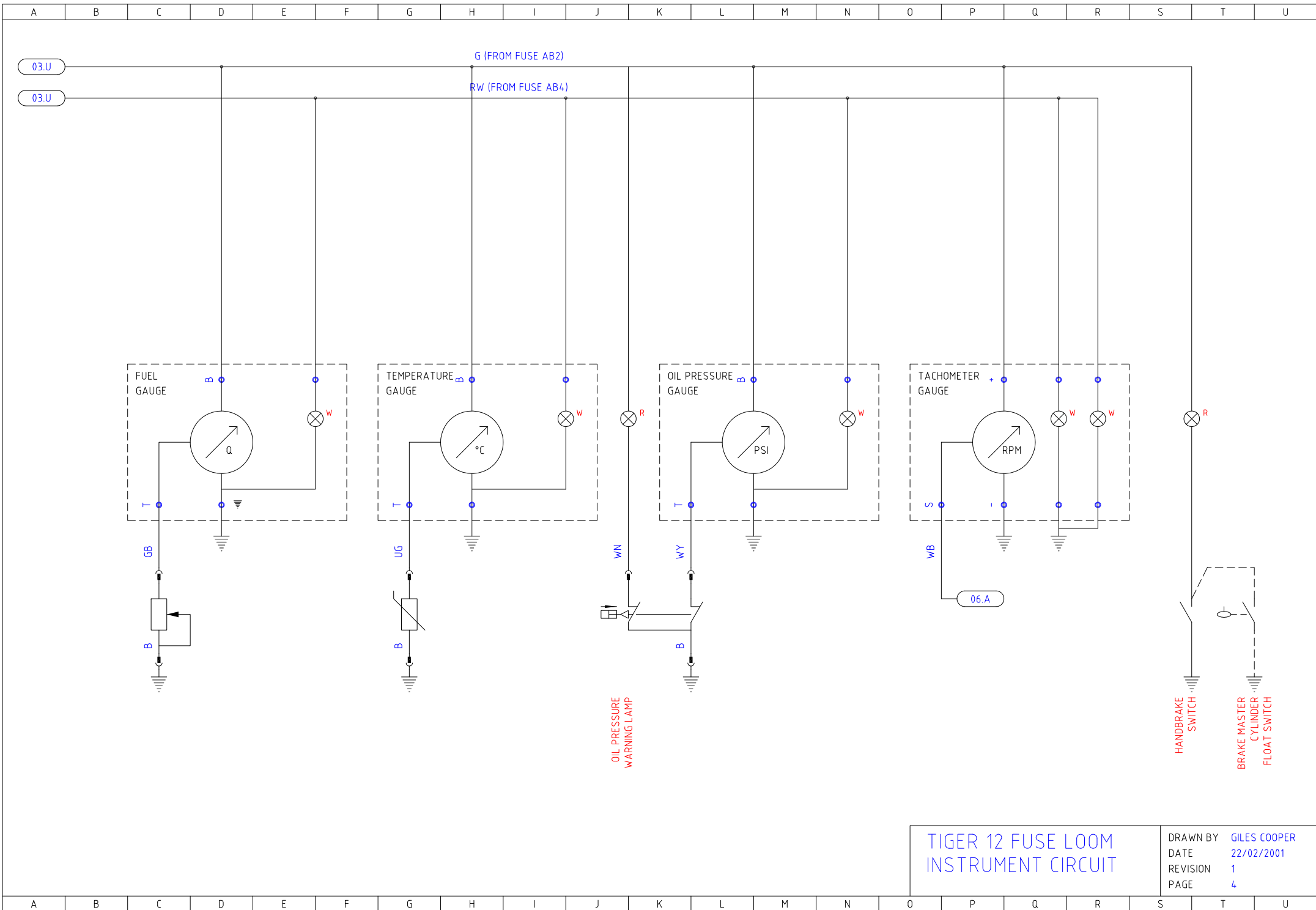
DRAWN BY GILES COOPER  
 DATE 22/02/2001  
 REVISION 1  
 PAGE 1





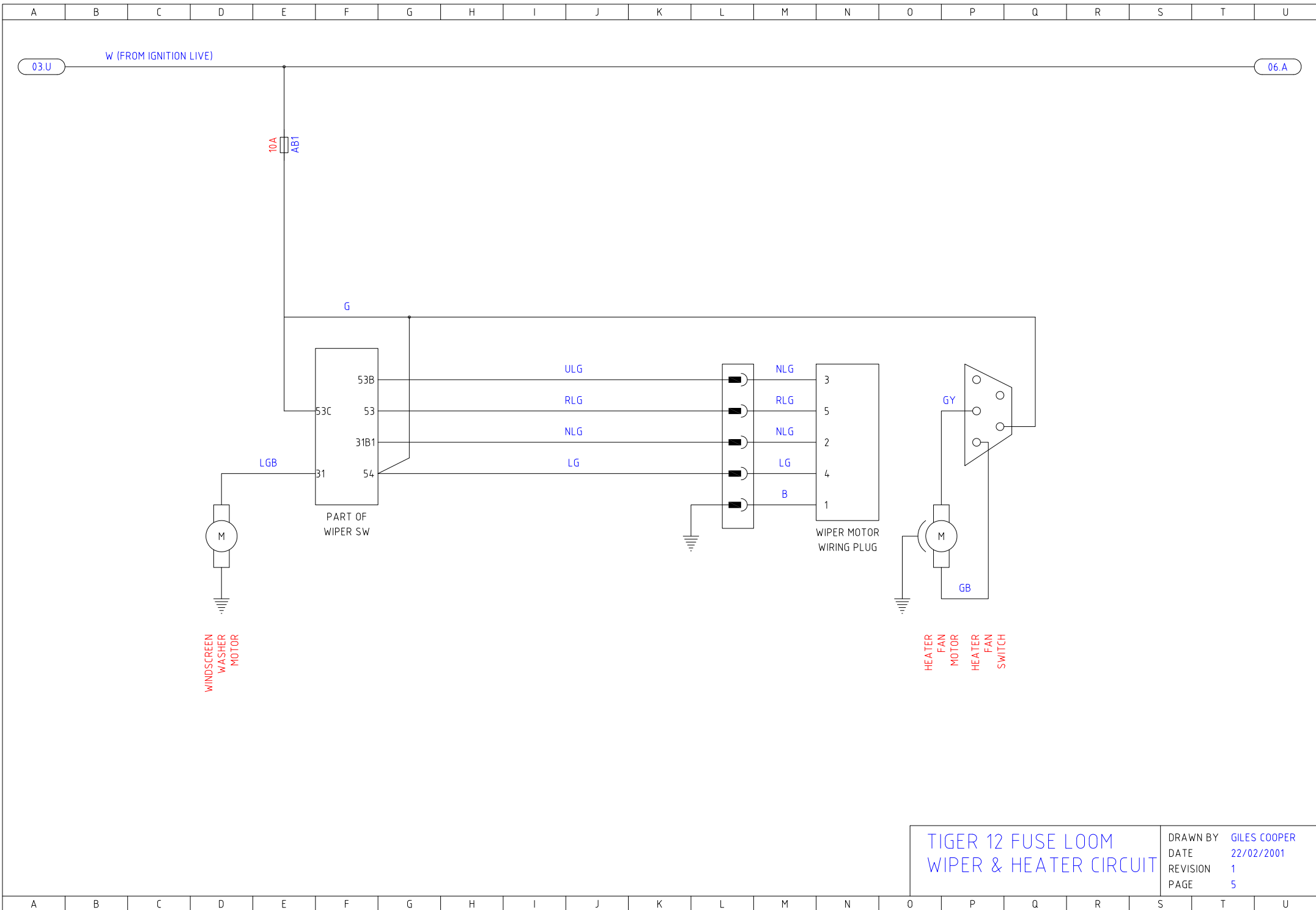
NOTE: DASHED LINE INDICATES MODIFICATION TO WIRING LOOM

|  |  |          |              |
|--|--|----------|--------------|
| <h3>TIGER 12 FUSE LOOM<br/>LIGHTING CIRCUIT</h3> |  | DRAWN BY | GILES COOPER |
|  |  | DATE     | 21/02/2001   |
|  |  | REVISION | 1            |
|  |  | PAGE     | 3            |



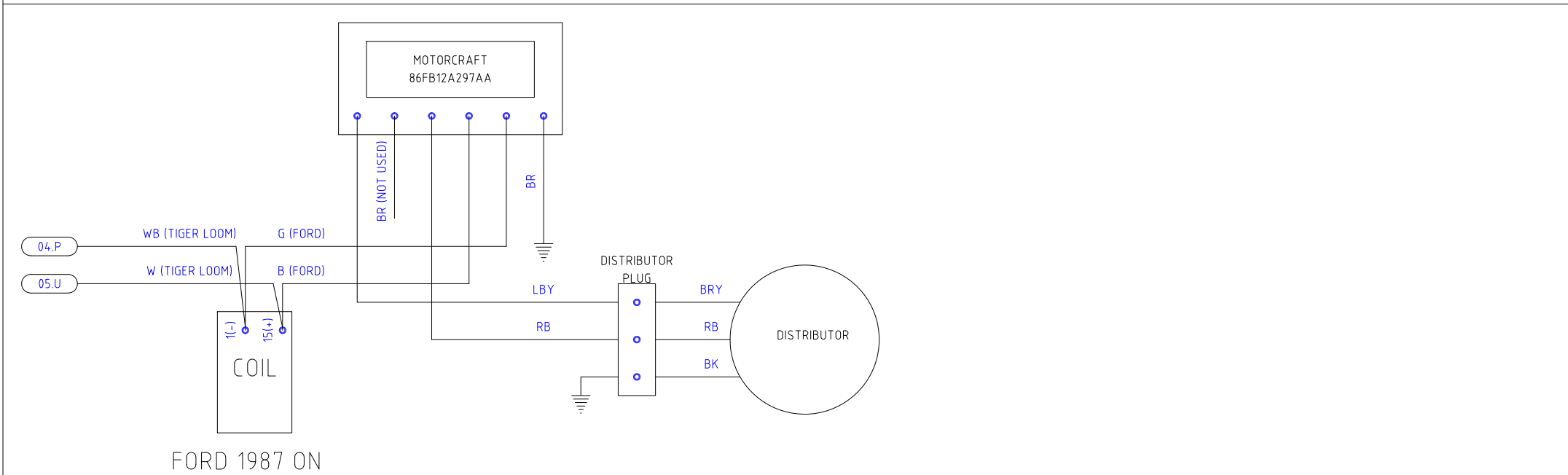
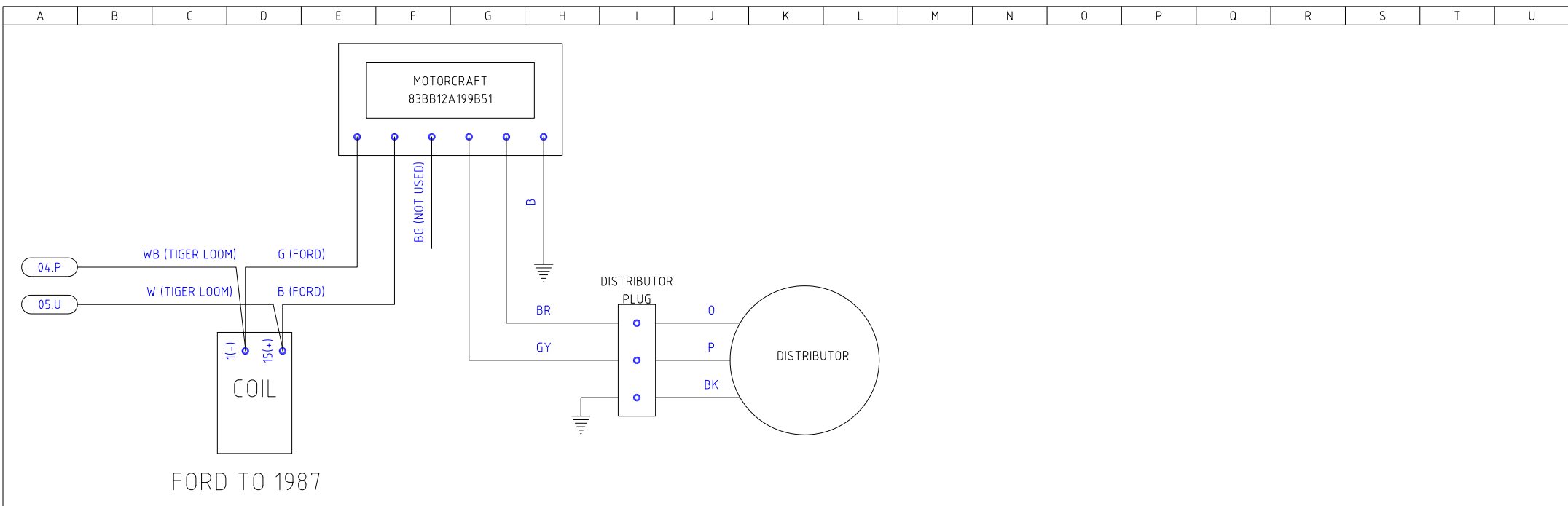
TIGER 12 FUSE LOOM  
INSTRUMENT CIRCUIT

DRAWN BY GILES COOPER  
DATE 22/02/2001  
REVISION 1  
PAGE 4



TIGER 12 FUSE LOOM  
WIPER & HEATER CIRCUIT

DRAWN BY GILES COOPER  
DATE 22/02/2001  
REVISION 1  
PAGE 5



|  |  |  |          |              |
|--|--|--|----------|--------------|
| <b>TIGER 12 FUSE LOOM<br/>IGNITION CIRCUIT</b> |  |  | DRAWN BY | GILES COOPER |
|  |  |  | DATE     | 22/02/2001   |
|  |  |  | REVISION | 1            |
|  |  |  | PAGE     | 6            |