

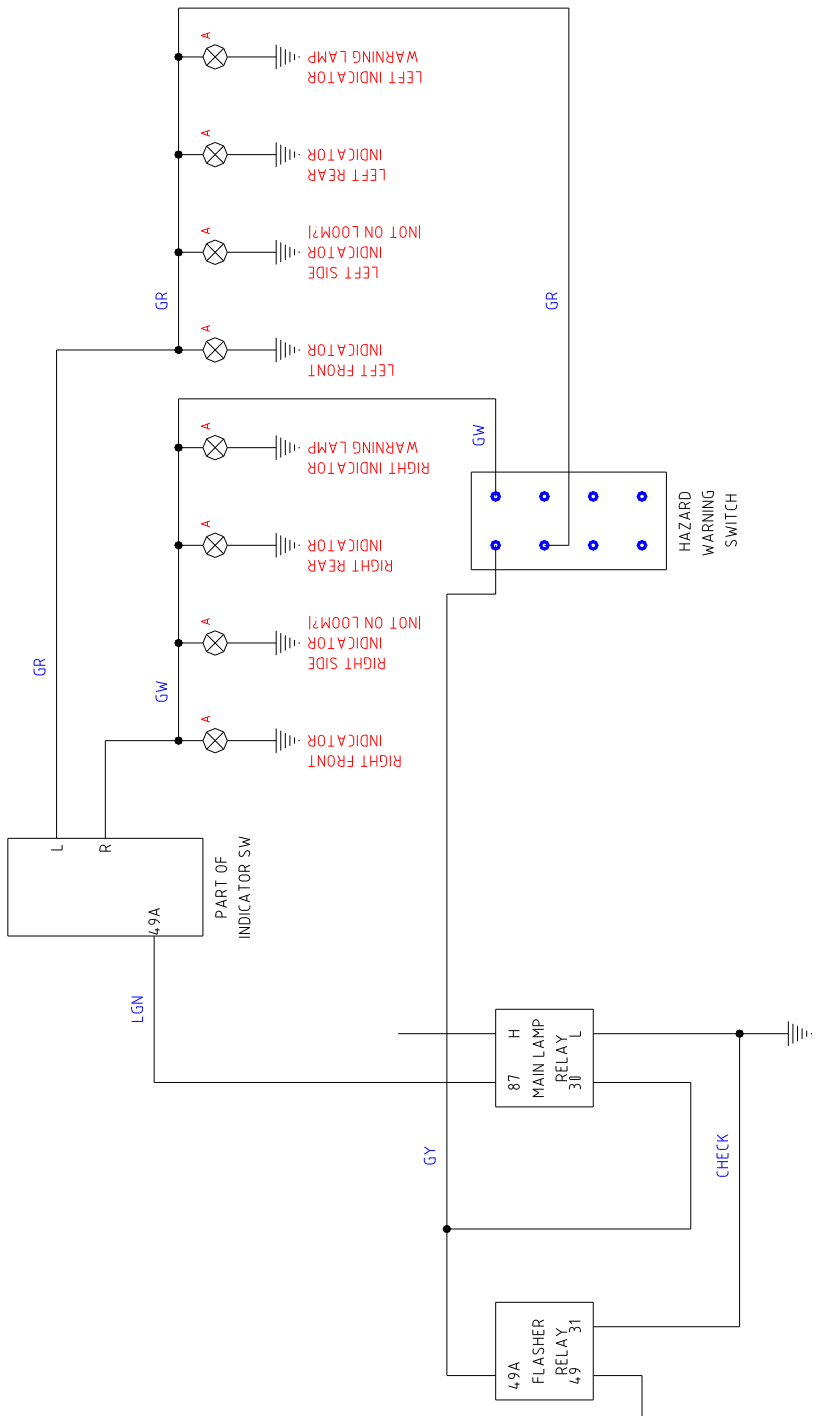
NOTE: DASHED LINE INDICATES MODIFICATION TO WIRING LOOM

TIGER CAT E1
STARTING CIRCUIT

DRAWN BY GILES COOPER
 DATE 26/08/2000
 REVISION 2
 PAGE 1

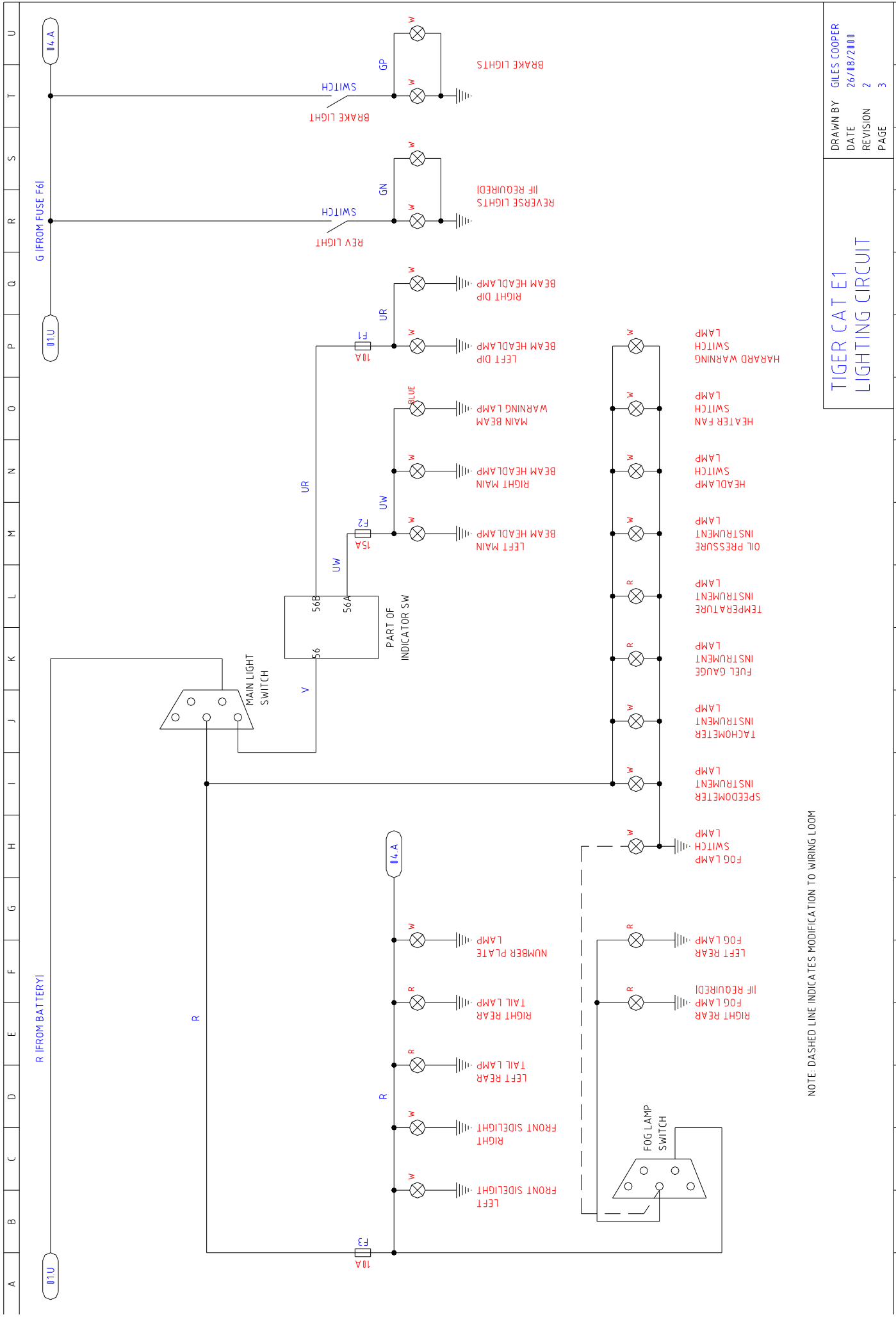
A	B	C	D	E	F	G	H	I	J	K	L	M	N	O	P	Q	R	S	T	U
---	---	---	---	---	---	---	---	---	---	---	---	---	---	---	---	---	---	---	---	---

U | FROM FUSE F4I



TIGER CAT E1
INDICATOR CIRCUIT

DRAWN BY GILES COOPER
DATE 26/18/2000
REVISION 2
PAGE 2

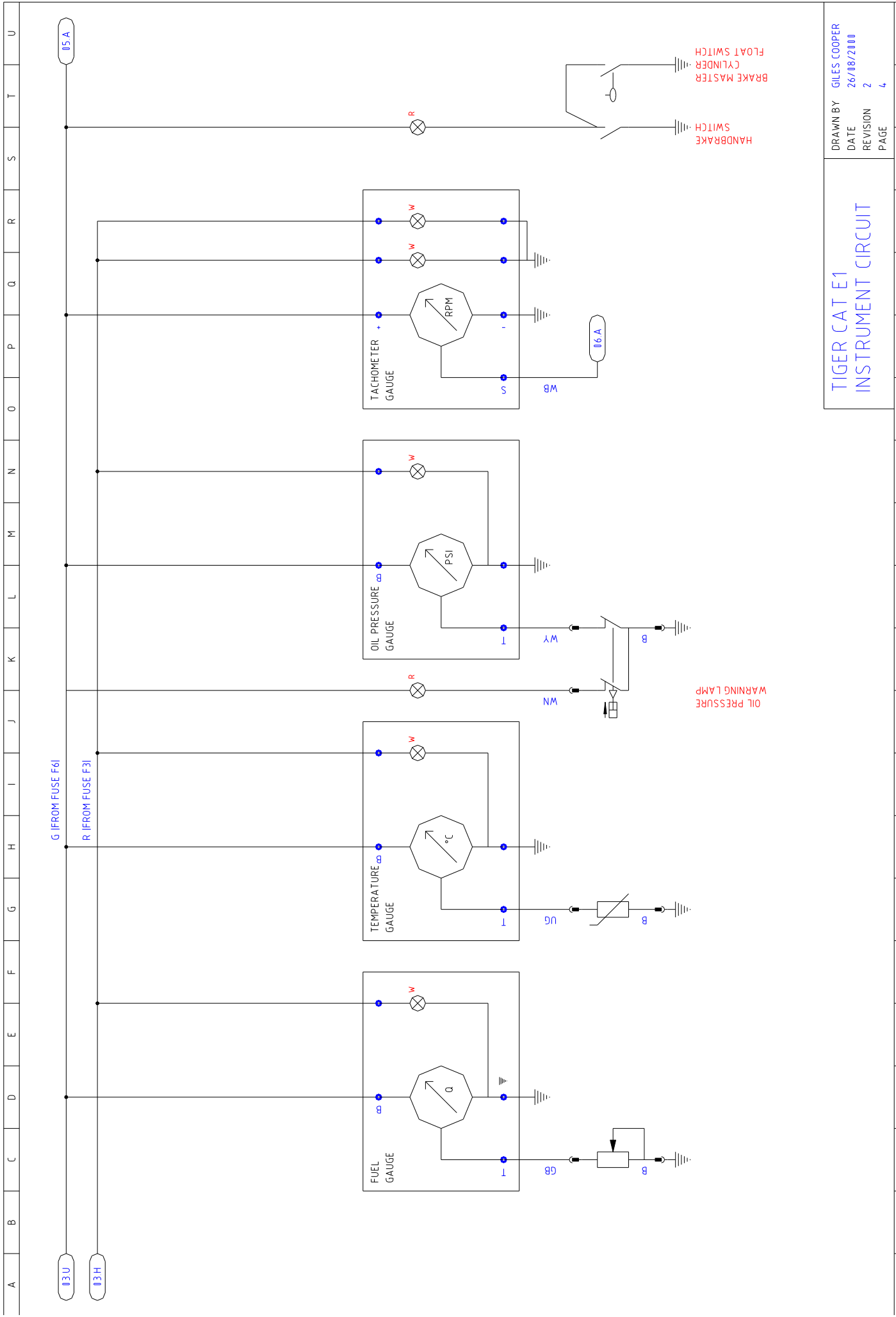


NOTE: DASHED LINE INDICATES MODIFICATION TO WIRING LOOM

**TIGER CAT E1
LIGHTING CIRCUIT**

DRAWN BY	GILES COOPER
DATE	26/08/2000
REVISION	2
PAGE	3

A B C D E F G H I J K L M N O P Q R S T U

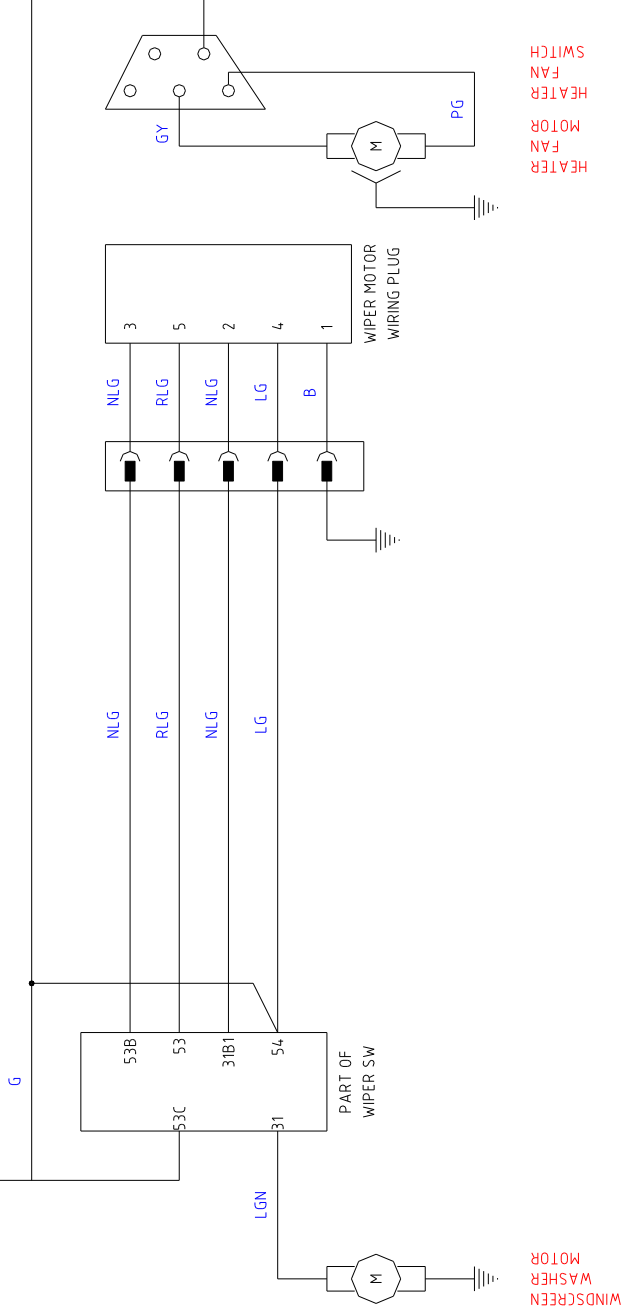


TIGER CAT E1
INSTRUMENT CIRCUIT

DRAWN BY GILES COOPER
DATE 26/08/2000
REVISION 2
PAGE 4

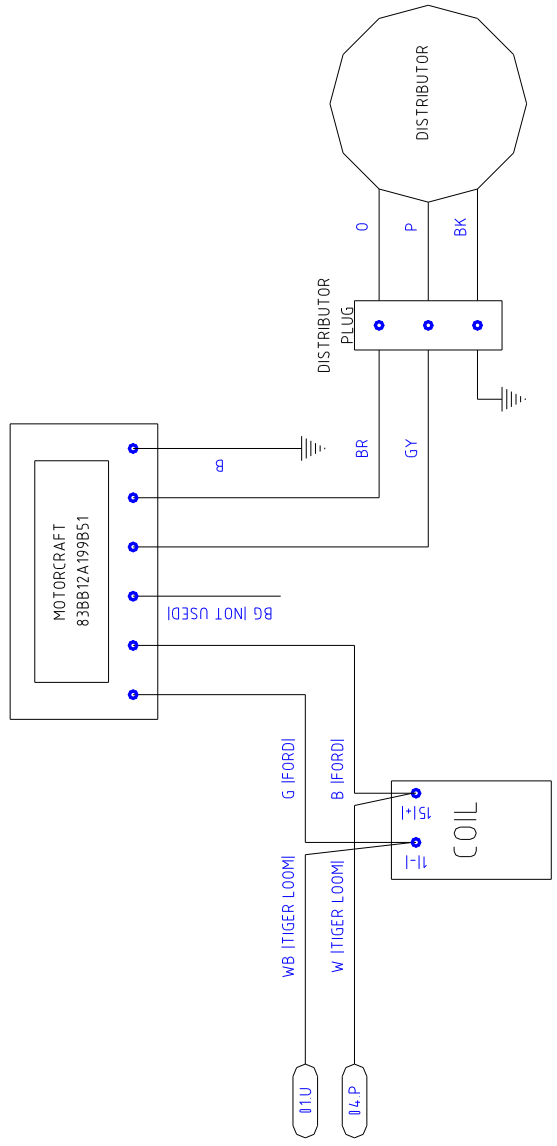
0.4 U

G IFROM FUSE F61

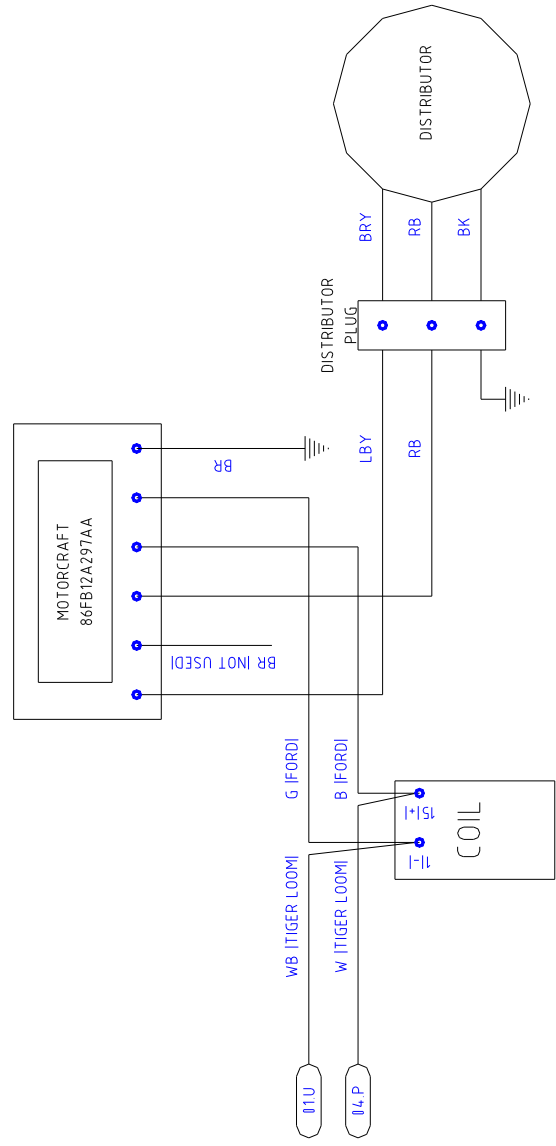


TIGER CAT E1
WIPER & HEATER CIRCUIT

DRAWN BY GILES COOPER
DATE 26/18/2000
REVISION 2
PAGE 5



FORD TO 1987



FORD 1987 ON

**TIGER CAT E1
IGNITION CIRCUIT**

DRAWN BY	GILES COOPER
DATE	26/08/2000
REVISION	2
PAGE	6